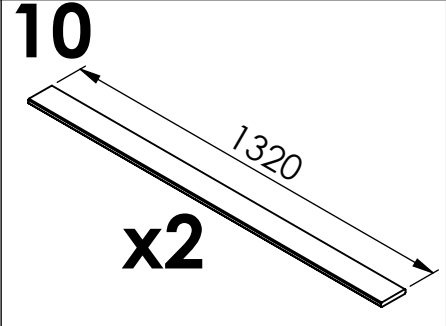
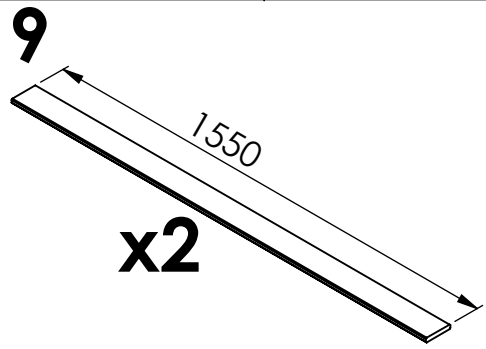
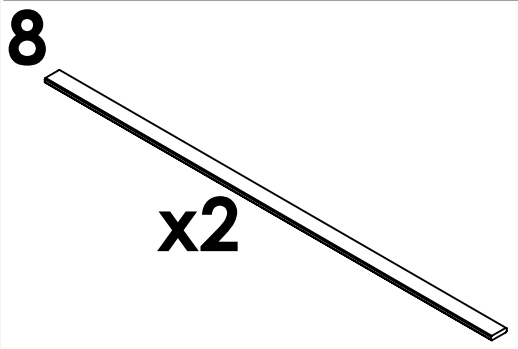
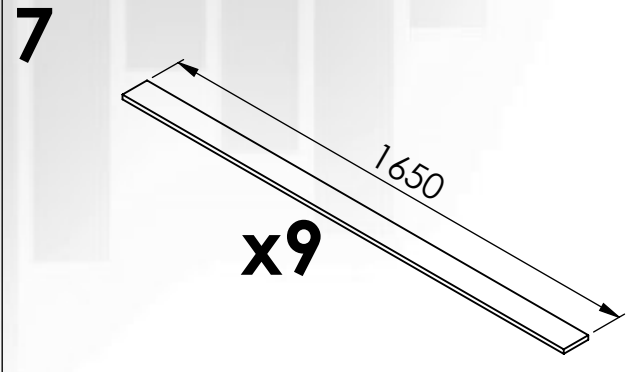
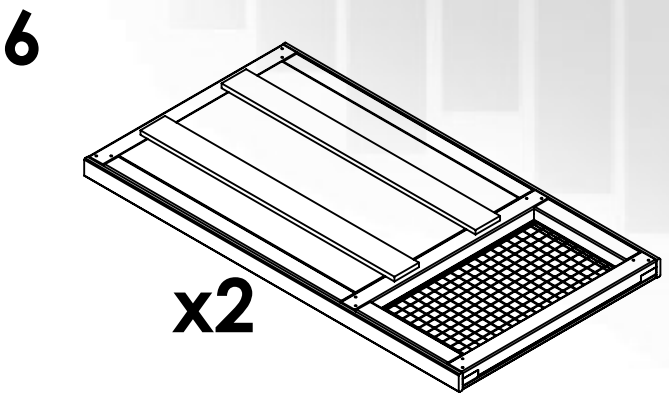
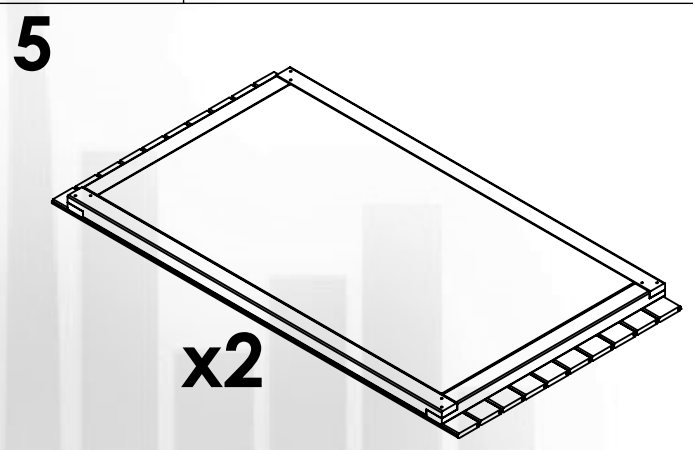
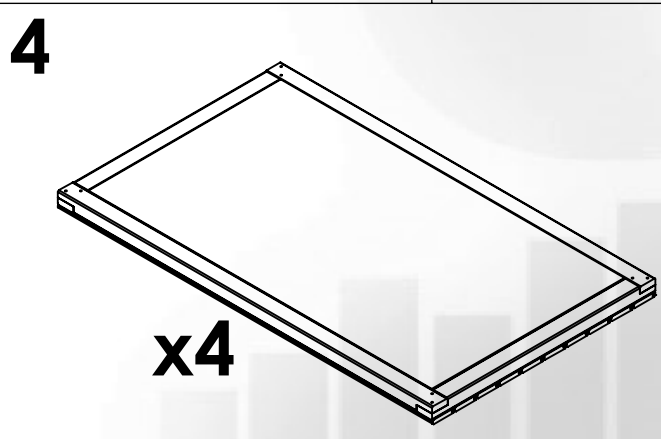
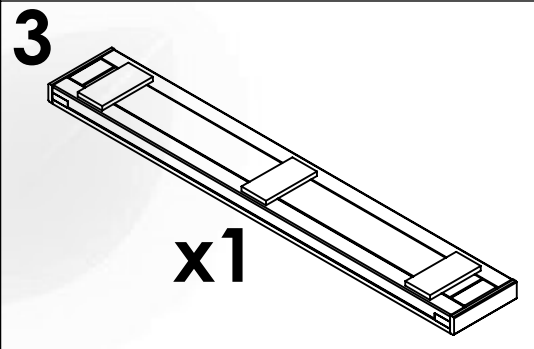
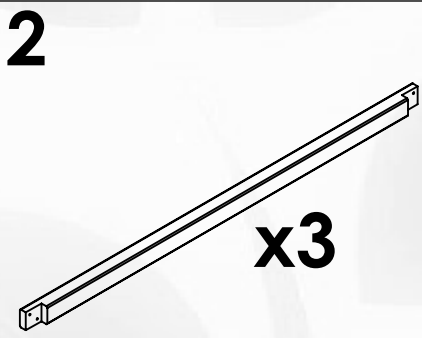
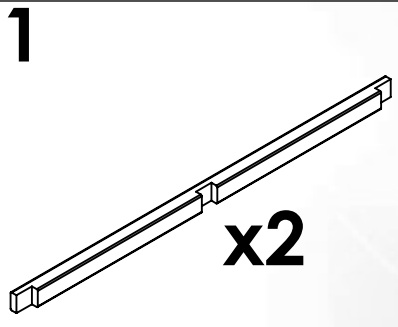
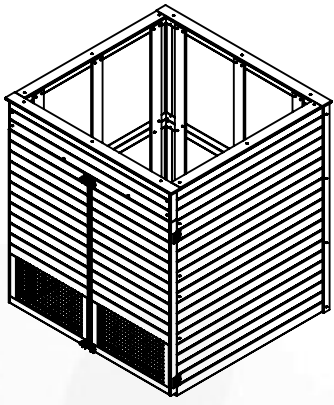


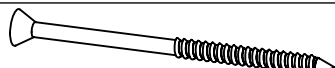


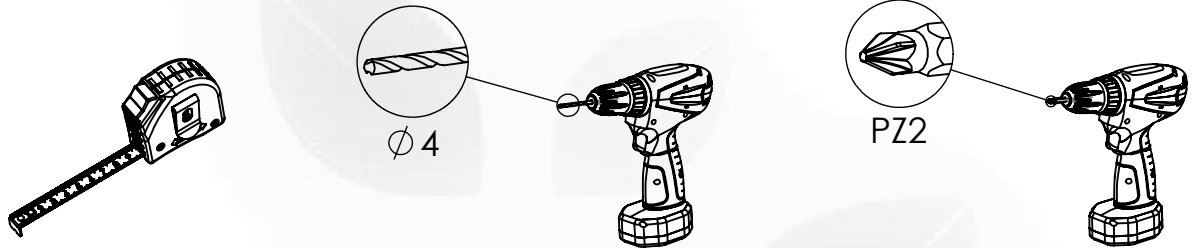
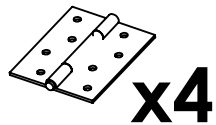
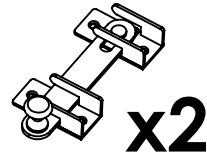
232147



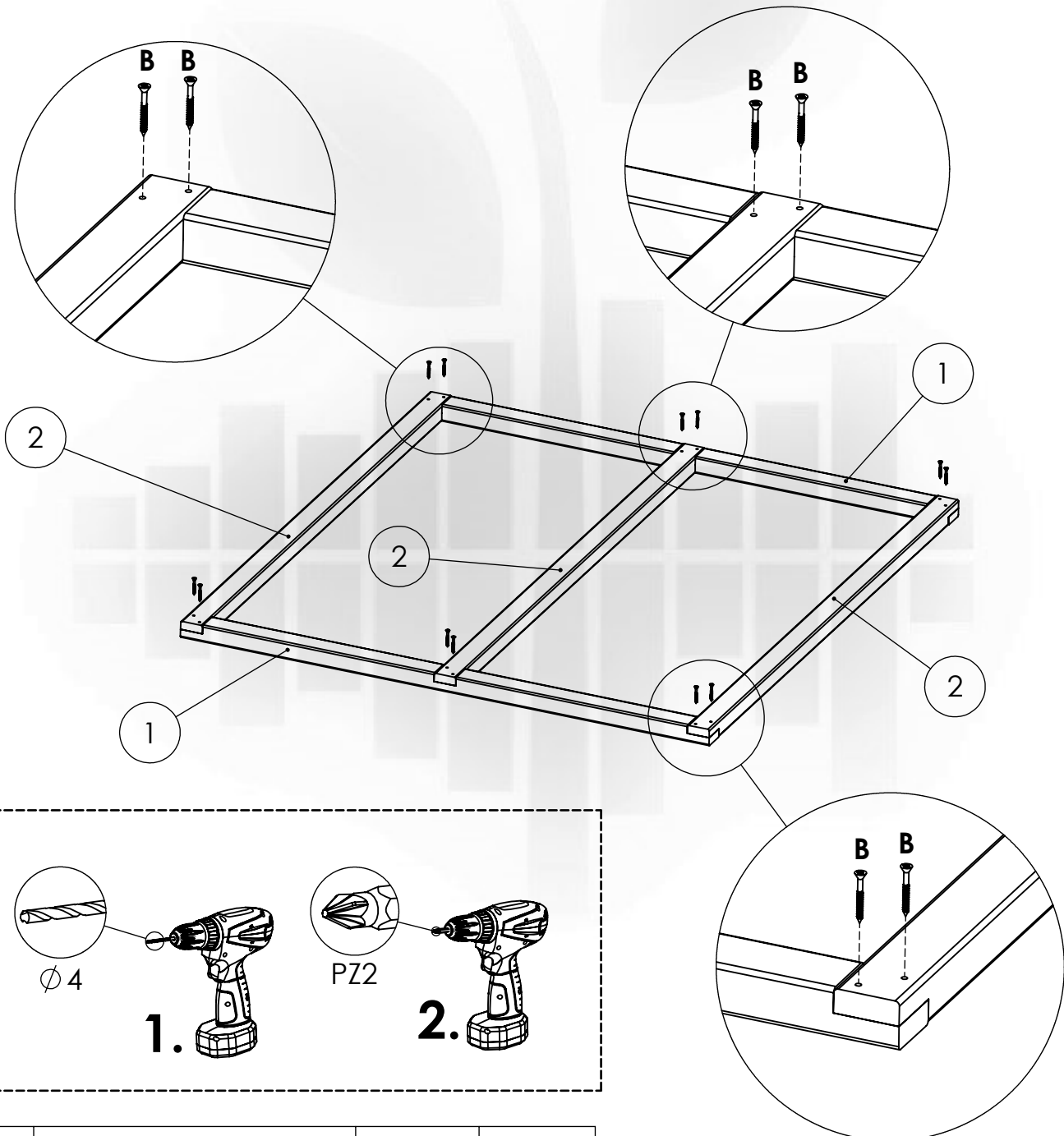
M


N

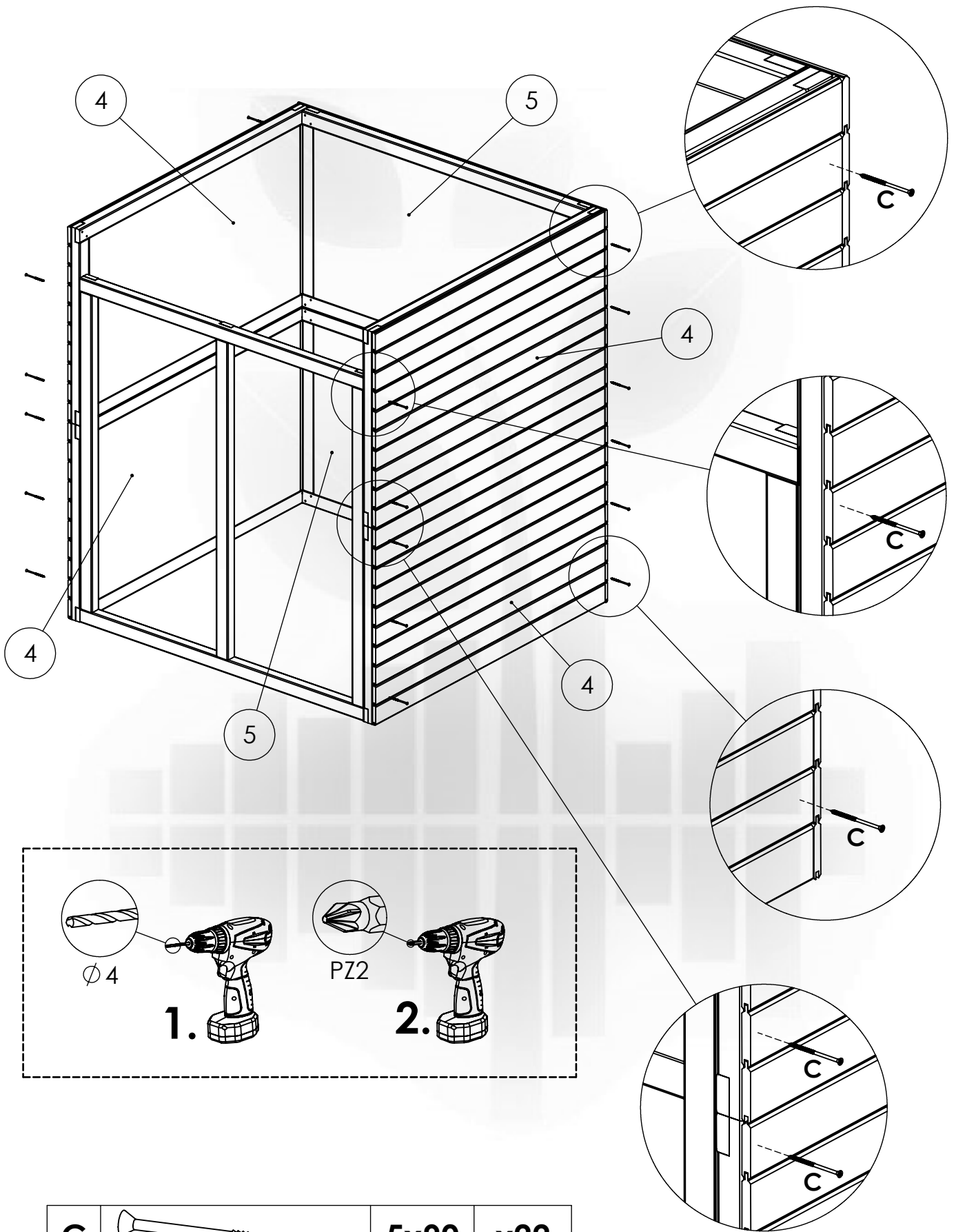
A		3.5x35	x28
B		4x40	x98
C		5x90	x28

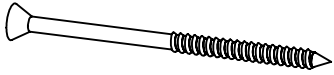


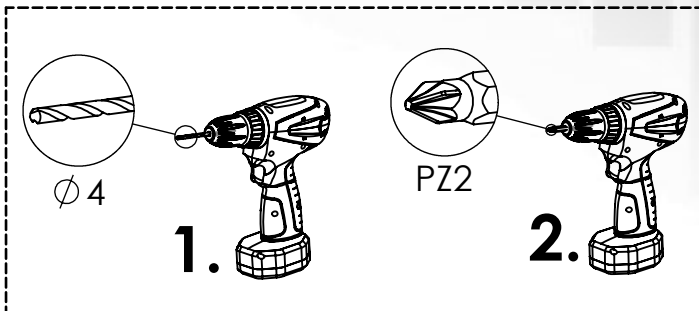
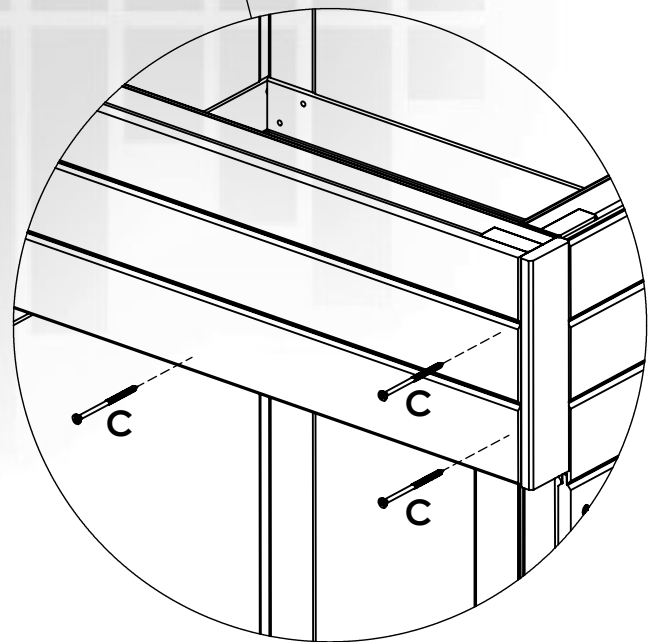
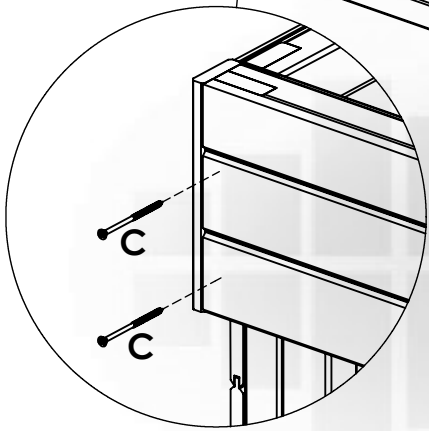
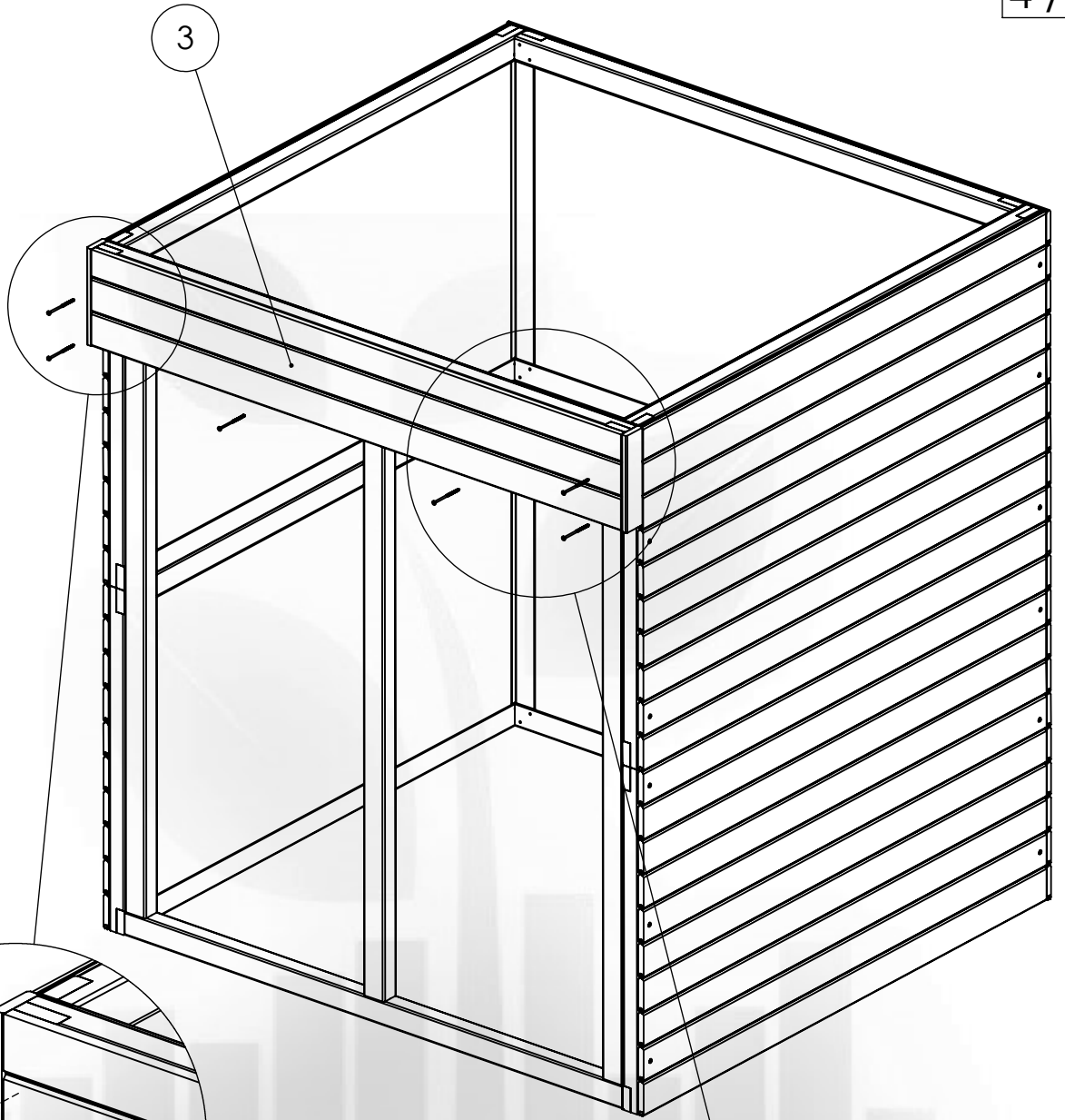
1

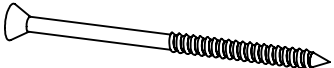


B		4x40	x12
----------	---	-------------	------------

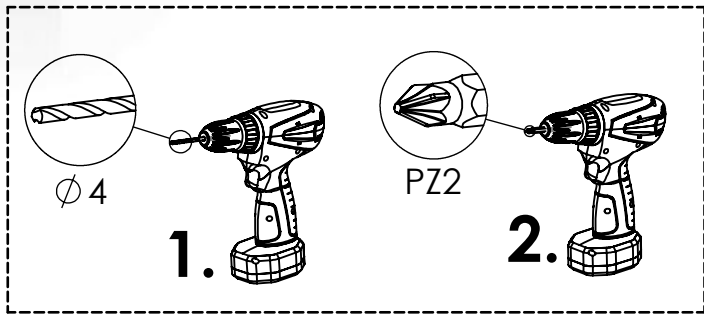
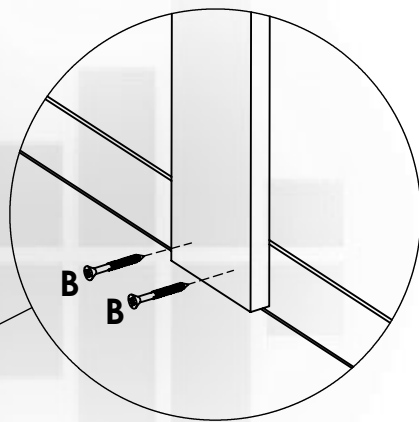
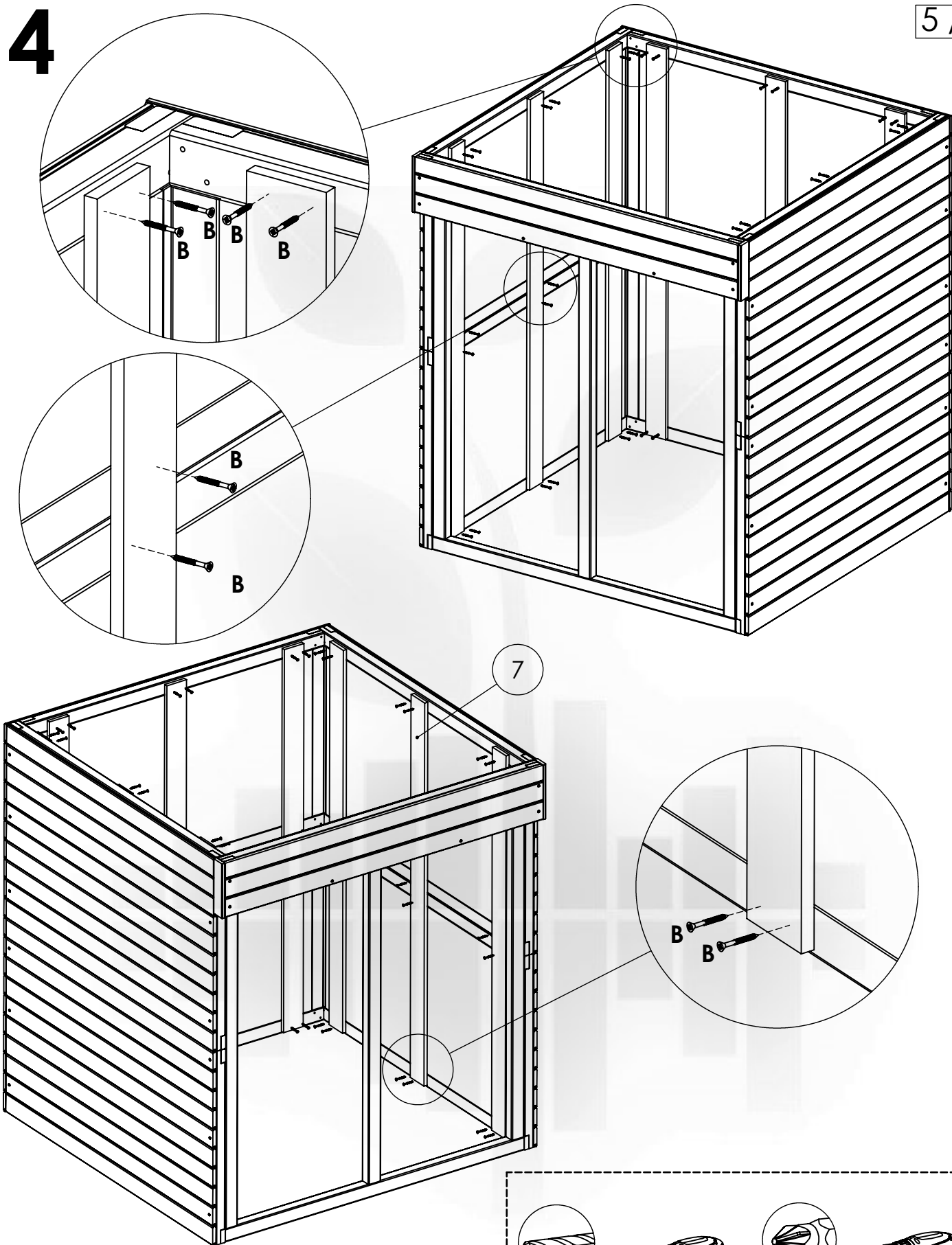



C		5x90	x22
---	---	------	-----



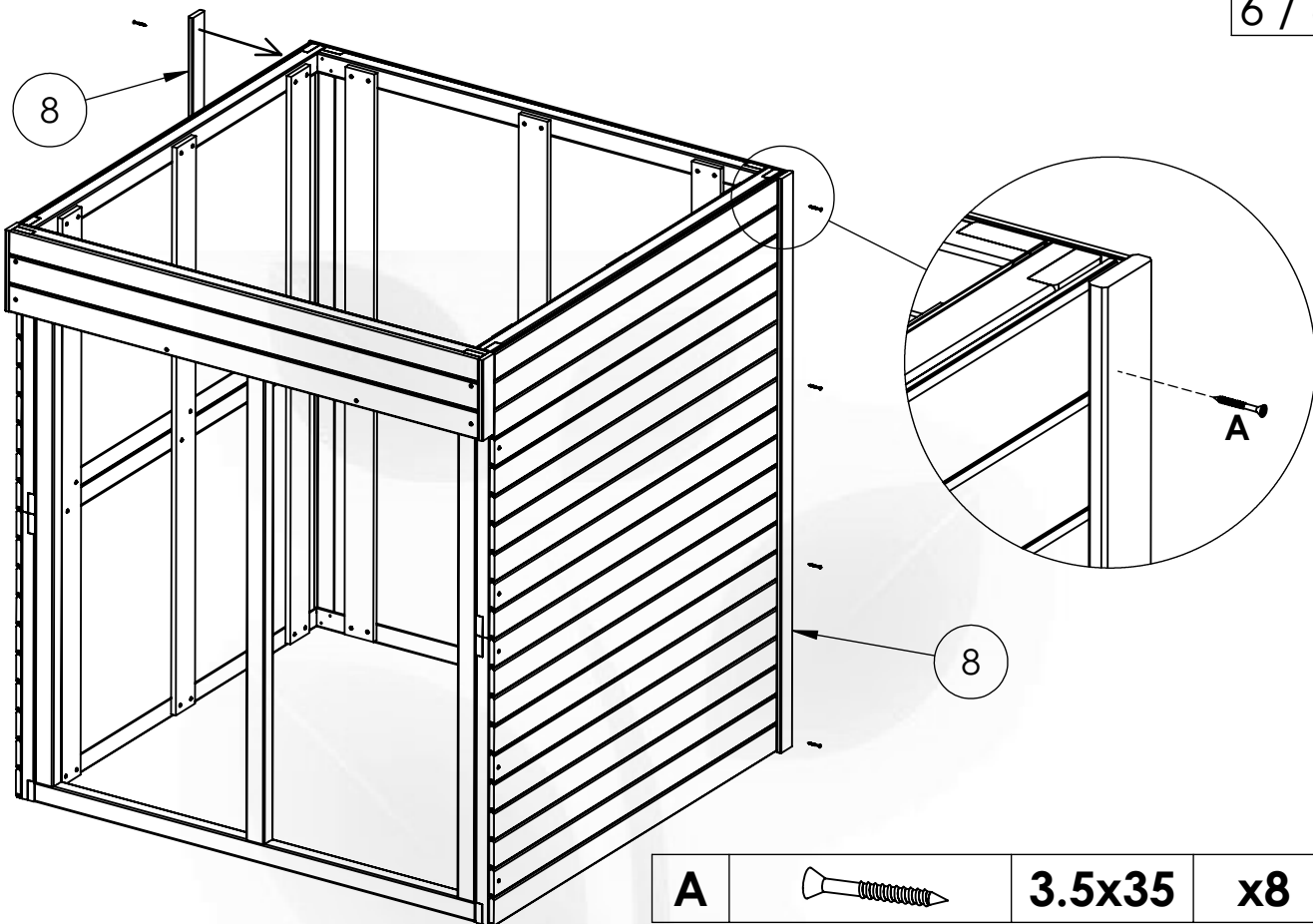
C		5x90	x6
---	---	------	----


4



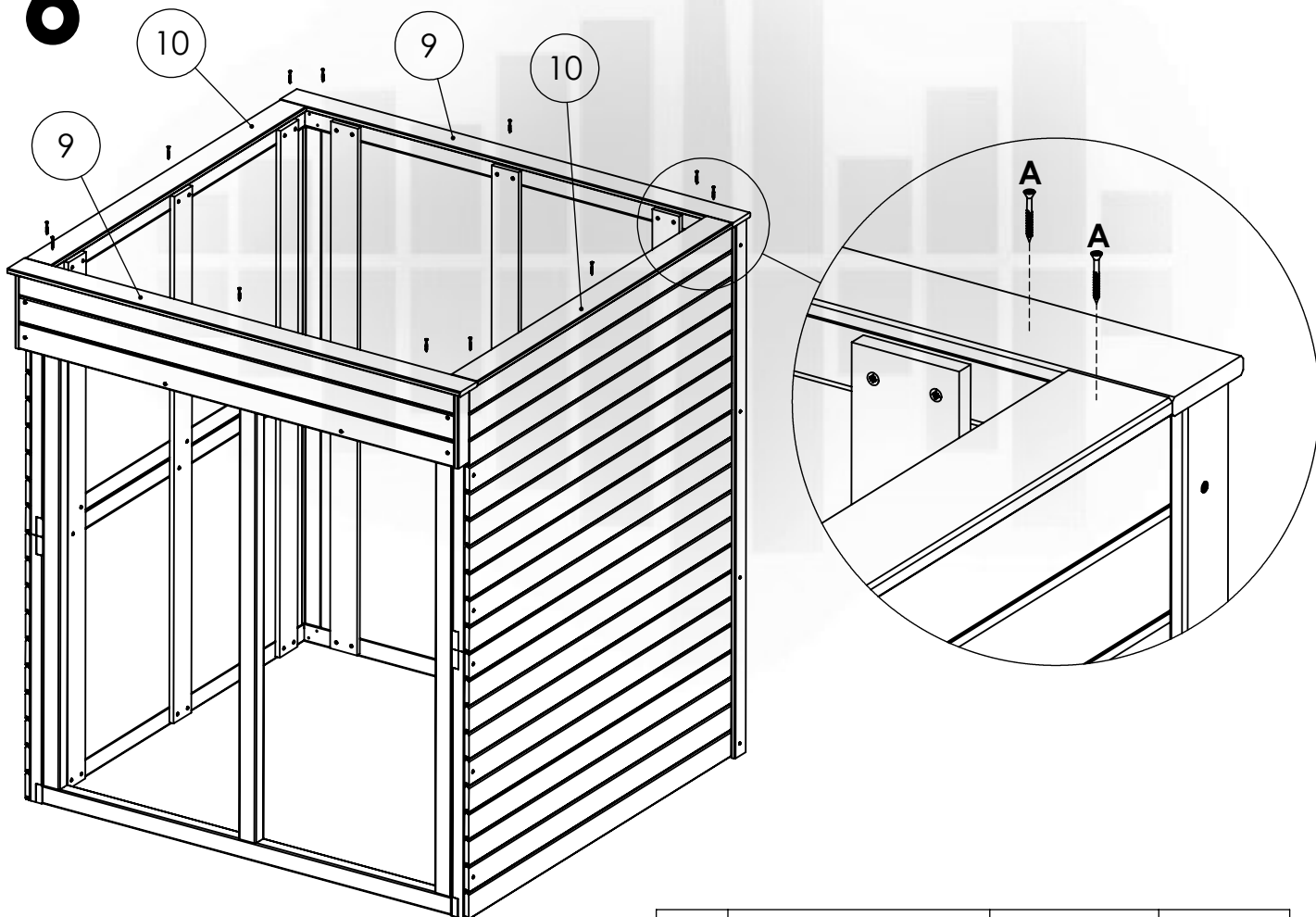
B		4x40	x54
----------	---	-------------	------------


5

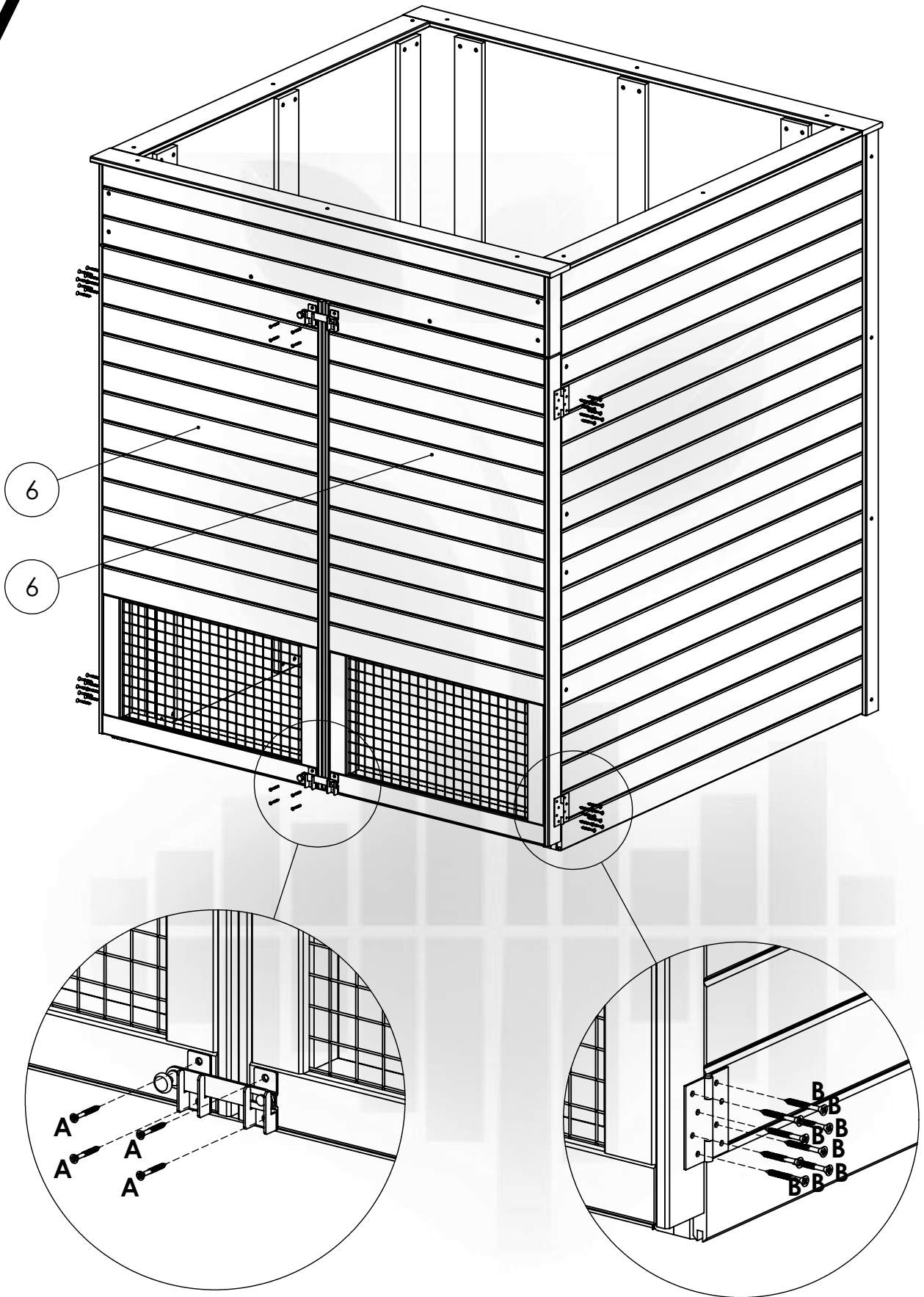




A		3.5x35	x8
----------	--	---------------	-----------

6



A		3.5x35	x12
----------	--	---------------	------------



A		3.5x35	x8
B		4x40	x32

